



QUALITY MARINE
EQUIPMENT SINCE 1981



2019 PRICE LIST

PSS SHAFT SEALS				
Shaft Diameters	Stern Tube Diameters	Type A Seal Retail Price	PRO Seal Retail Price	Type B Seal Retail Price
¾", 7/8" 20mm, 22mm	1¼", 1½", 1¾" , 2", 2¼"	\$300.00	—	—
	Over Sized (2½")	\$325.00	—	—
1", 1 1/8" 25mm, 28mm, 30mm	1¼", 1½", 1¾" , 2", 2¼"	\$310.00	—	—
	Over Sized (2½")	\$340.00	—	—
1¼", 1 3/8" 32mm, 35mm	1¾", 2" , 2¼", 2½"	\$355.00	\$425.00	—
	Over Sized (2¾", 3" , 3¼", 3½")	\$385.00	\$465.00	—
1½", 1 9/16" 38mm, 40mm	2", 2¼", 2½" , 2¾", 3" , 3¼", 3½"	\$470.00	\$555.00	—
	Over Sized (3¾" , 4")	\$550.00	\$645.00	—
1¾" 45mm	2¼", 2½" , 2¾", 3" , 3¼", 3½"	\$515.00	\$630.00	—
	Over Sized (3¾" , 4")	\$605.00	\$725.00	—
2" 50mm, 55mm	2½" , 2¾", 3" , 3¼", 3½"	\$605.00	\$725.00	—
	Over Sized (3¾" , 4")	\$690.00	\$820.00	—
2¼", 2½" 60mm, 65mm	3¼", 3½" , 3¾" , 4"	\$690.00	\$890.00 *	—
	Over Sized (4¼", 4½" , 4¾", 5")	\$775.00	\$990.00 *	—
2¾" 70mm	4", 4¼", 4½" , 4¾", 5"	\$870.00	\$1,095.00 *	—
	Over Sized (5¼" , 5½", 5¾", 6")	\$1,105.00	\$1,380.00 *	—
3" 75mm, 80mm	4", 4¼", 4½" , 4¾", 5"	\$985.00	\$1,225.00 *	—
	Over Sized (5¼" , 5½", 5¾", 6")	\$1,230.00	\$1,520.00 *	—
3¼", 3½" 85mm, 90mm	4½", 4¾", 5", 5¼" , 5½", 5¾", 6"	\$1,700.00	\$1,995.00 *	—
	Over Sized (6¼", 6½", 6¾", 7")	\$2,480.00	\$2,685.00 *	—
3 5/8", 3¾" 95mm	4½", 4¾", 5", 5¼" , 5½", 5¾", 6"	\$1,875.00	\$2,450.00 *	—
	Over Sized (6¼", 6½", 6¾", 7")	\$2,650.00	\$3,130.00 *	—
4", 100mm	5" - 7"	—	—	\$4,600.00 *
4¼", 105mm, 110mm	5" - 7"	—	—	\$4,850.00 *
4½", 115mm	5" - 7"	—	—	\$5,100.00 *
4¾", 120mm	6" - 8 5/8"	—	—	\$5,350.00 *
5", 5¼", 125mm, 130mm	6" - 8 5/8"	—	—	\$5,600.00 *
5½", 140mm	6" - 8 5/8"	—	—	\$6,150.00 *
6", 150mm	6" - 8 5/8"	—	—	\$6,650.00 *

Prices effective January 1, 2019 and subject to change without notice.

Bold stern tube sizes means no reducer is used for the bellow.

* Comes with bellow rings

How To Determine The Part Number

Example 1 (Type A or B) : 02-**112**-**212** Example 2 (PRO): 03-**25M**-**214**

112 = 1½" Shaft Diameter

25M = 25mm Shaft Diameter

212 = 2½" Stern Tube Diameter

214 = 2¼" Stern Tube Diameter

PSS MAINTENANCE KITS

Includes bellow, o-rings (2qty), set screws (5qty), hose clamps (4qty), Clamp Jackets (4qty), allen wrench and thread lock.

Shaft Diameters	Stern Tube Diameters	Type A Seal Retail Price	PRO Seal Retail Price	Type B Seal Retail Price
¾", 7/8" 20mm, 22mm	1¼", 1½", 1¾" , 2", 2¼"	\$92.00	—	—
	Over Sized (2½")	\$118.00	—	—
1", 1 1/8" 25mm, 28mm, 30mm	1¼", 1½", 1¾" , 2", 2¼"	\$92.00	—	—
	Over Sized (2½")	\$118.00	—	—
1¼", 1 3/8" 32mm, 35mm	1¾", 2" , 2¼", 2½"	\$118.00	\$150.00	—
	Over Sized (2¾", 3" , 3¼", 3½")	\$150.00	\$185.00	—
1½", 1 5/16" 38mm, 40mm	2", 2¼", 2½" , 2¾", 3" , 3¼", 3½"	\$150.00	\$185.00	—
	Over Sized (3¾" , 4")	\$215.00	\$265.00	—
1¾" 45mm	2¼", 2½", 2¾", 3" , 3¼", 3½"	\$150.00	\$185.00	—
	Over Sized (3¾" , 4")	\$215.00	\$265.00	—
2" 50mm, 55mm	2½" , 2¾", 3" , 3¼", 3½"	\$150.00	\$185.00	—
	Over Sized (3¾" , 4")	\$215.00	\$265.00	—
2¼", 2½" 60mm, 65mm	3¼", 3½" , 3¾" , 4"	\$215.00	\$265.00 *	—
	Over Sized (4¼", 4½" , 4¾", 5")	\$305.00	\$360.00 *	—
2¾" 70mm	4", 4¼", 4½" , 4¾", 5"	\$305.00	\$360.00 *	—
	Over Sized (5¼" , 5½", 5¾", 6")	\$600.00	\$705.00 *	—
3" 75mm, 80mm	4", 4¼", 4½" , 4¾", 5"	\$305.00	\$360.00 *	—
	Over Sized (5¼" , 5½", 5¾", 6")	\$600.00	\$705.00 *	—
3¼", 3½" 85mm, 90mm	4½", 4¾", 5", 5¼" , 5½", 5¾", 6"	\$600.00	\$705.00 *	—
	4½", 4¾", 5", 5¼" , 5½", 5¾", 6"	\$600.00	\$705.00 *	—
4" 100mm	5" - 7"	—	—	\$895.00 *
4¼" 105mm, 110mm	5" - 7"	—	—	\$895.00 *
4½" 115mm	5" - 7"	—	—	\$895.00 *
4¾" 120mm,	6" - 8 5/8"	—	—	\$1,160.00 *
5", 5¼" 125mm, 130mm	6" - 8 5/8"	—	—	\$1,160.00 *
5½" 140mm	6" - 8 5/8"	—	—	\$1,160.00 *
6" 150mm	6" - 8 5/8"	—	—	\$1,160.00 *

Prices effective January 1, 2019 and subject to change without notice.

Bold stern tube sizes means no reducer is used for the bellow.

* Comes with bellow rings

How To Determine The Part Number

Example 1 (Type A or B) : 07-112-212R Example 2 (PRO): 07-25M-214PR
 112 = 1½" Shaft Diameter 25M = 25mm Shaft Diameter
 212 = 2½" Stern Tube Diameter 214 = 2¼" Stern Tube Diameter

O-RING KITS

Includes o-rings (2qty), set screws (5qty), allen wrench, thread lock and Clamp Jackets (4qty).

Shaft Diameters	Part #	Retail Price	Shaft Diameters	Part #	Retail Price
3/4" (20mm)	07-N03-4	\$4.75	2" (50mm)	07-N20-0	\$5.95
7/8" (22mm)	07-N07-8	\$4.75	2 1/4" (55mm)	07-N21-4	\$5.95
1" (25mm)	07-N10-0	\$4.75	60mm	07-N60-M	\$5.95
1 1/8" (28mm)	07-N11-8	\$4.75	2 1/2" (65mm)	07-N21-2	\$5.95
30mm	07-N30-M	\$5.00	2 3/4" (70mm)	07-N23-4	\$5.95
1 1/4" (32mm)	07-N11-4	\$5.00	3" (75mm)	07-N30-0	\$5.95
1 3/8" 35mm	07-N13-8	\$5.00	3 1/4" (80mm)	07-N31-4	\$5.95
1 1/2"	07-N11-2	\$5.85	85mm	07-N85-M	\$6.25
1 5/8" (40mm)	07-N40-M	\$5.85	3 1/2" (90mm)	07-N31-2	\$6.25
1 3/4" (45mm)	07-N13-4	\$5.85	3 3/4" (95mm)	07-N33-4	\$6.25

T-ADAPTER KITS

Inside Diameter Hose	Part #	Retail Price
3/4"	07-KIT-034	\$51.00
1"	07-KIT-100	\$51.00
1 1/4"	07-KIT-114	\$51.00
1 1/2"	07-KIT-112	\$56.00

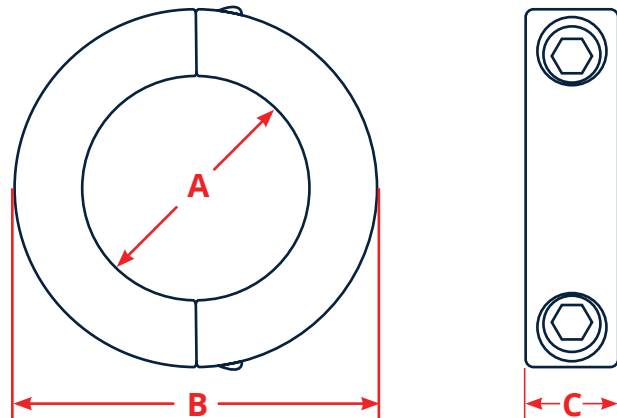
PYI offers T-Kits to help facilitate the installation of the PSS Shaft Seal. These T-Kits enable the installer to tee into the raw water discharge hose and plumb water to the hose barb fitting of the PSS

Shaft Seal. Some examples of water pick-up points are: between the heat exchanger and riser, between oil cooler and heat exchanger and between the water pump and oil cooler.



SHAFT RETENTION COLLARS

A	B	C	Part #	Retail Price
3/4"	1 1/2"	1/2"	07-SRC-034	\$20.00
7/8"	1 5/8"	1/2"	07-SRC-078	\$25.00
1"	1 3/4"	1/2"	07-SRC-100	\$25.00
1 1/8"	1 7/8"	1/2"	07-SRC-118	\$25.00
1 1/4"	2 1/16"	1/2"	07-SRC-114	\$30.00
1 3/8"	2 1/4"	9/16"	07-SRC-138	\$40.00
1 1/2"	2 3/8"	9/16"	07-SRC-112	\$60.00
1 3/4"	2 3/4"	1 1/16"	07-SRC-134	\$70.00
2"	3"	1 1/16"	07-SRC-200	\$100.00
2 1/4"	3 1/4"	3/4"	07-SRC-214	\$140.00
2 1/2"	3 3/4"	3/4"	07-SRC-212	\$150.00
2 3/4"	4"	7/8"	07-SRC-234	\$170.00
3"	4 1/4"	7/8"	07-SRC-300	\$190.00
25mm	45mm	15mm	07-SRC-25M	\$35.00
30mm	54mm	15mm	07-SRC-30M	\$40.00
35mm	57mm	15mm	07-SRC-35M	\$50.00
40mm	60mm	15mm	07-SRC-40M	\$70.00
45mm	73mm	19mm	07-SRC-45M	\$90.00
50mm	78mm	19mm	07-SRC-50M	\$100.00
55mm	82mm	19mm	07-SRC-55M	\$120.00
60mm	88mm	19mm	07-SRC-60M	\$145.00
65mm	93mm	19mm	07-SRC-65M	\$150.00
70mm	98mm	19mm	07-SRC-70M	\$180.00
75mm	103mm	19mm	07-SRC-75M	\$220.00
80mm	108mm	19mm	07-SRC-80M	\$220.00



SET SCREWS

Shaft Diameters	Part #	Description	Retail Price
3/4" - 1 3/8"	07-014-PLAIN	1/4"x20 set screw	\$0.74
1 1/2" - 3 3/4"	07-038-PLAIN	3/8"x16 set screw	\$0.95
N/A	07-LOC-121	Blue thread lock (only 3/4"-3 3/4" shafts)	\$3.25

PSS RUDDER SEAL

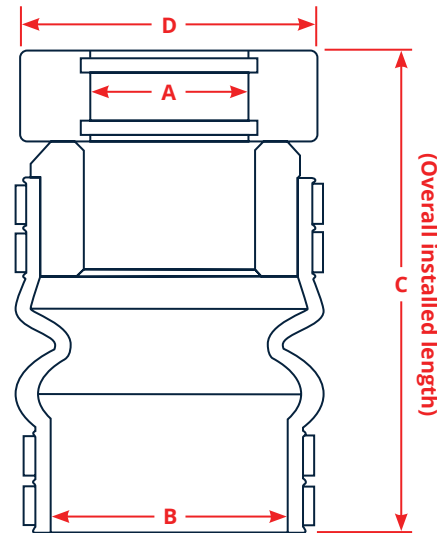
For rudders 3/4" to 2" (20mm - 55mm) diameters



TECHNICAL SPECIFICATIONS

Temperature Limits	5 to 225°F (-15 to 107°C)
Pressure Limits	15 PSI (1 BAR)
Shaft RPM Limits	10,000 RPM
Carbon Graphite	Lapped to 4 HLB (0.000044" tolerance)
316 SS	Faced to 9 Ra
Bellow Material	Mandrel formed silicone / fabric

- For commercial and pleasure boats, for shafts 3/4" to 2" (20mm to 55mm). Larger sizes on request.



How To Determine The Part Number

Example 1: 01-112-212RP

112 = 1 1/2" Rudder Post Dia.

212 = 2 1/2" Tube Dia.

Example 2: 01-25M-214RP

25M = 25mm Rudder Post Dia.

214 = 2 1/4" Tube Dia.

PSS RUDDER SEAL IMPERIAL SIZES

Rudder Post Diameter (A)	Tube Diameter (B)	Approx. Compressed Length (C)	D	Retail Price
3/4", 7/8", 1", 1 1/8"	1 3/4", 2", 2 1/4"	5 1/8" - 5 1/4"	2.375"	\$310.00
1 1/4", 1 3/8"	2", 2 1/4", 2 1/2"	5 1/8" - 5 1/4"	2.875"	\$355.00
1 1/2", 1 9/16"	2", 2 1/4", 2 1/2"	5 1/8" - 5 1/4"	3.75"	\$470.00
1 3/4"	2", 2 1/4", 2 1/2"	5 1/8" - 5 1/4"	3.75"	\$515.00
2"	2 1/4", 2 1/2"	5 1/8" - 5 1/4"	3.75"	\$605.00

PSS RUDDER SEAL METRIC SIZES (mm)

Rudder Post Diameter (A)	Tube Diameter (B)	Approx. Compressed Length (C)	D	Retail Price
20, 22, 25, 28, 30	1 3/4", 2", 2 1/4"	5 1/8" - 5 1/4"	2.375"	\$310.00
32, 35	2", 2 1/4", 2 1/2"	5 1/8" - 5 1/4"	2.875"	\$355.00
38, 40	2", 2 1/4", 2 1/2"	5 1/8" - 5 1/4"	3.75"	\$470.00
45	2", 2 1/4", 2 1/2"	5 1/8" - 5 1/4"	3.75"	\$515.00
50, 55	2 1/4", 2 1/2"	5 1/8" - 5 1/4"	3.75"	\$605.00

PYI Inc.

12532 Beverly Park Road

Lynnwood, WA 98087

Tel: 425-355-3669

www.pyiinc.com

Get social with us!



YouTube

02-11 0818